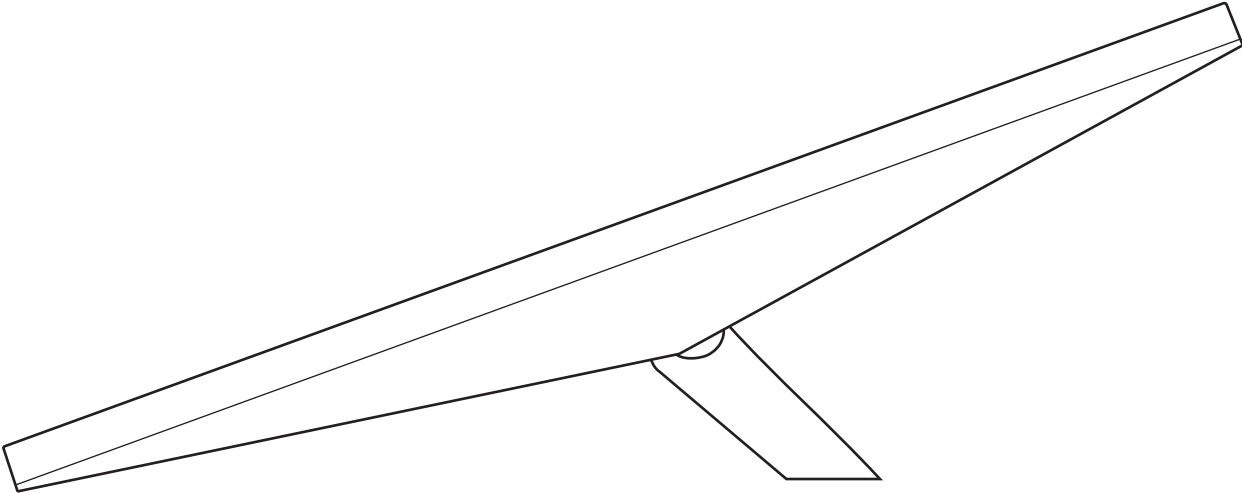
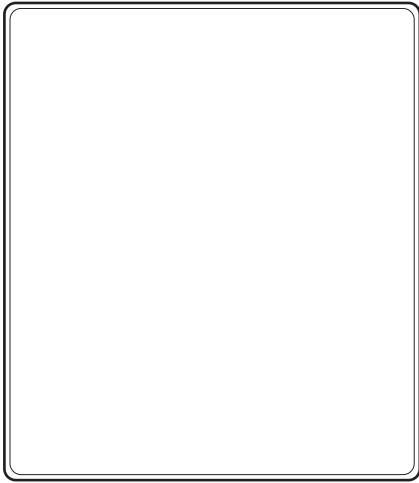


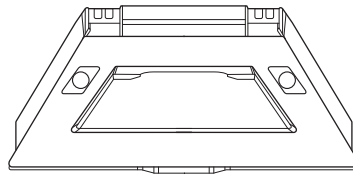
STARLINK | MINI SPECIFICATIONS



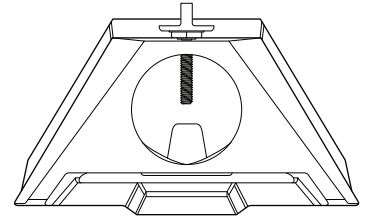
What's In The Box



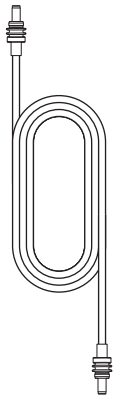
Starlink with Integrated WiFi



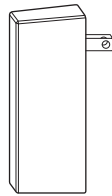
Kickstand



Pipe Adapter



DC Power Cable
15 m
(49.2 ft)



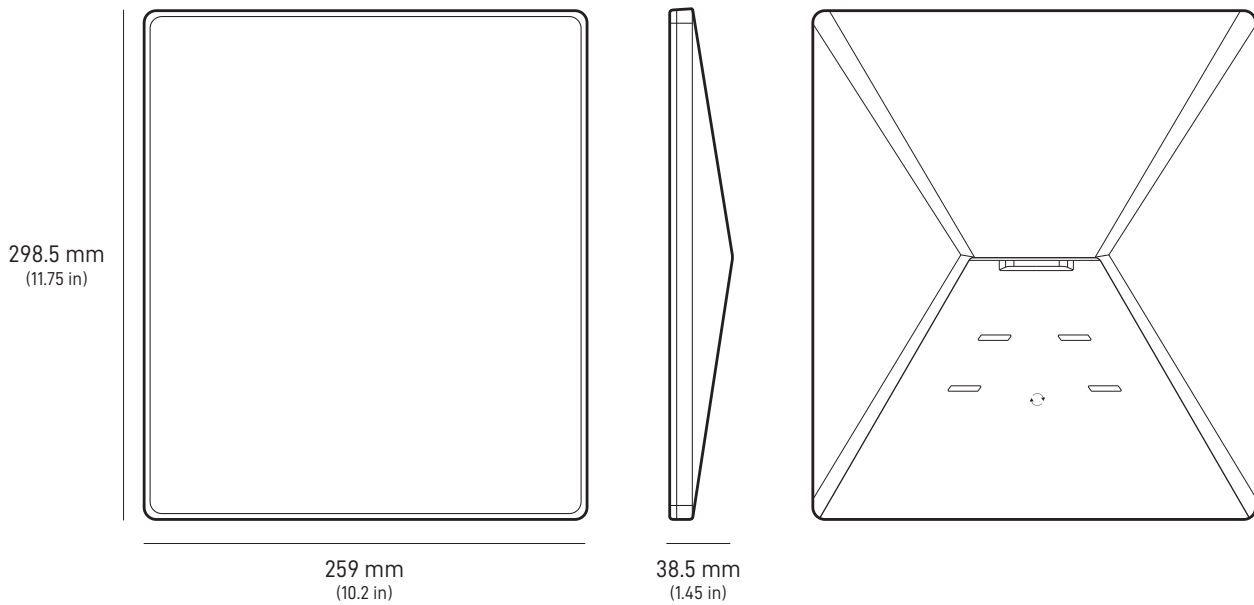
Power Supply



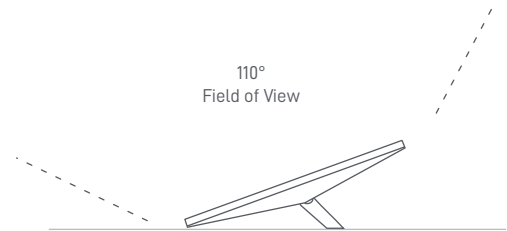
Starlink Plug

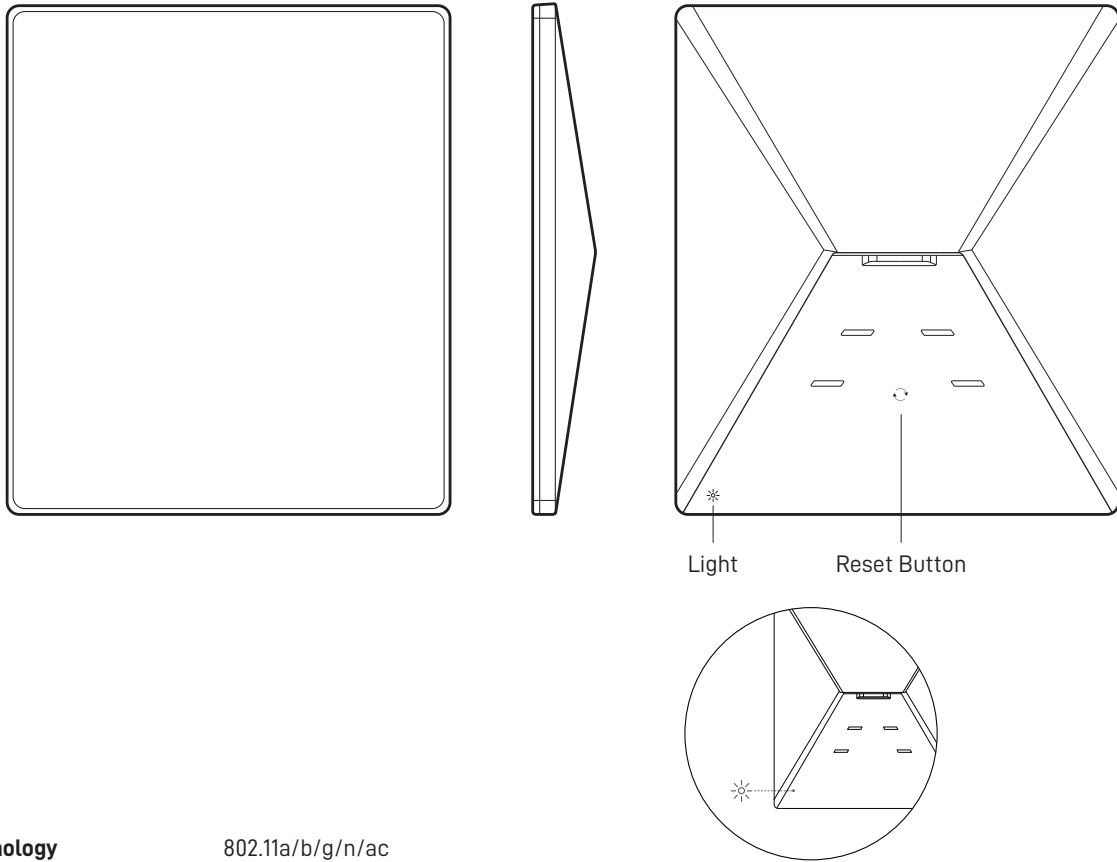
Package Weight: 6.73 kg (14.83 lbs)

Package Dimensions: 430 x 334 x 79 mm (16.92 x 13.14 x 3.11 in)

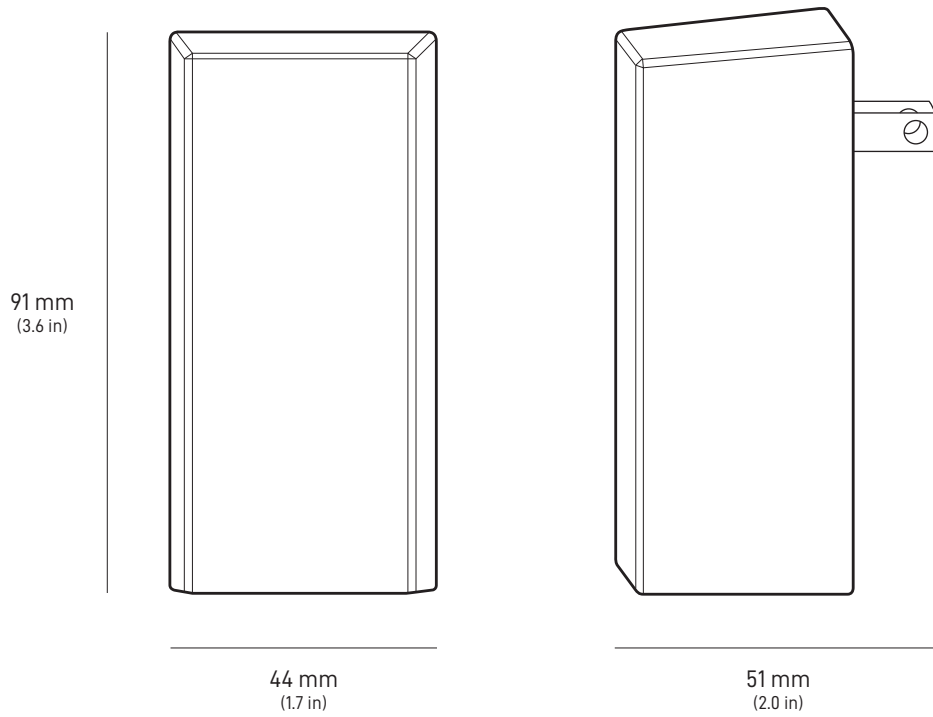


Antenna	Electronic Phased Array
Field of View	110°
Orientation	Software Assisted Manual Orienting
Weight	1.10 kg (2.43 lb) 1.16 kg (2.56 lb) with Kickstand 1.53 kg (3.37 lb) with Kickstand & 15 m Cable
Environmental Rating	IP67 Type 4 with DC Power Cable and Starlink Plug/Cable installed
Operating Temperature	-30°C to 50°C (-22°F to 122°F)
Wind Speed	Operational: 96 kph+ (60 mph+)
Snow Melt Capability	Up to 25mm / hour (1 in / hour)
Power Consumption	Average: 25-40W
Input Rating	12-48V 60W
USB PD Requirement	100W, 20V/5A Minimum (with Starlink USB-C to Barrel Jack Cable Accessory)

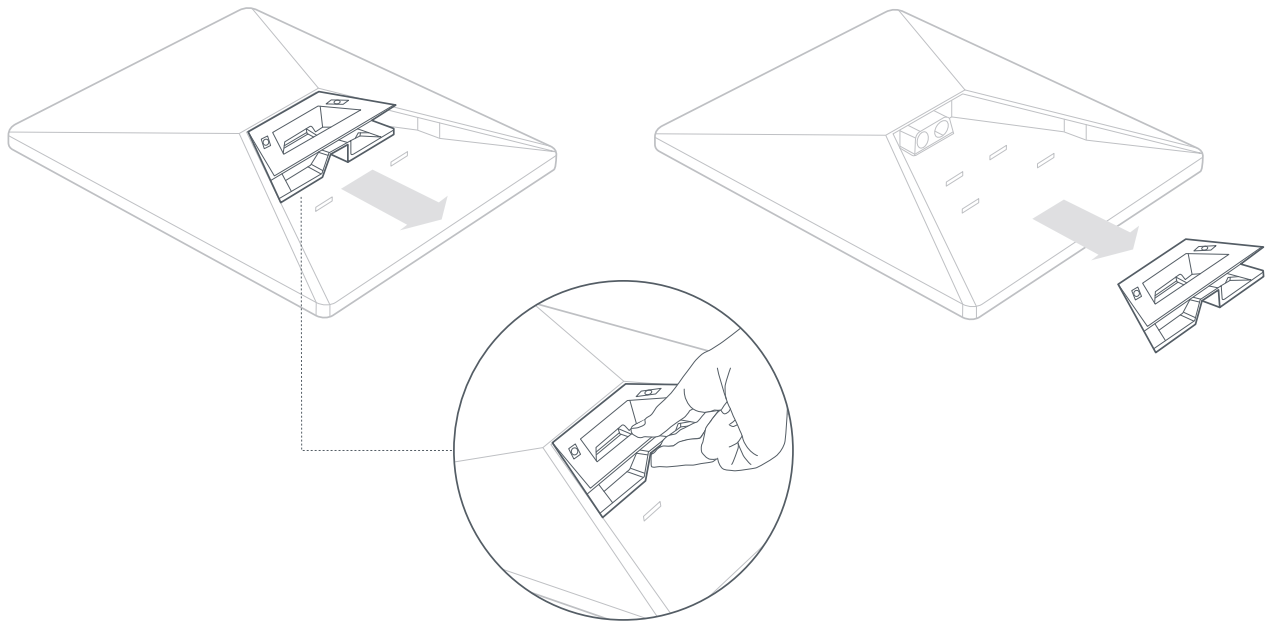
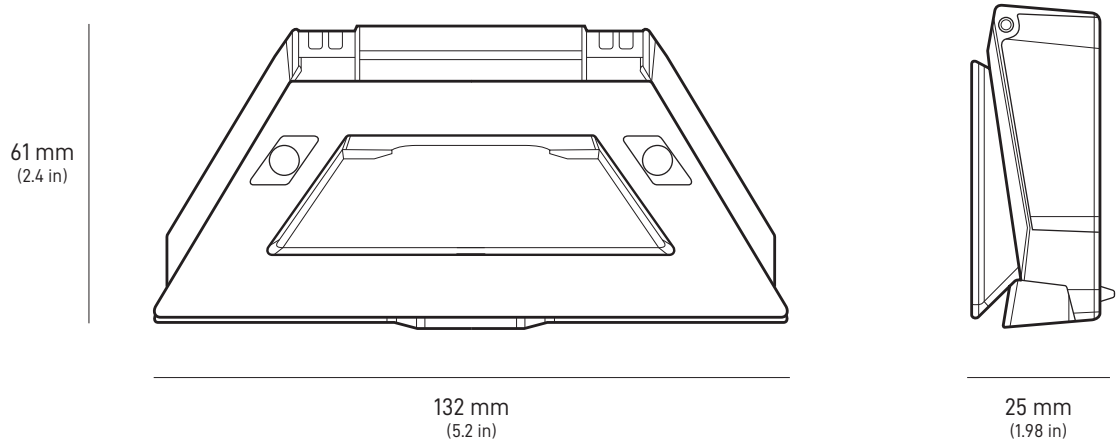


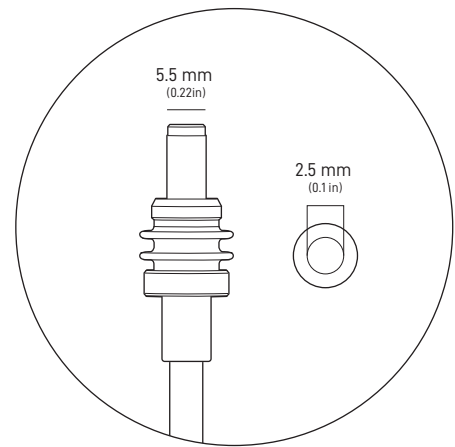
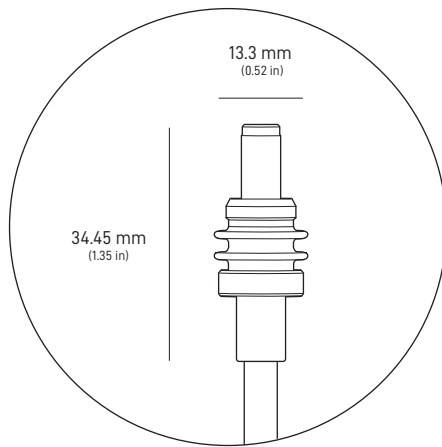
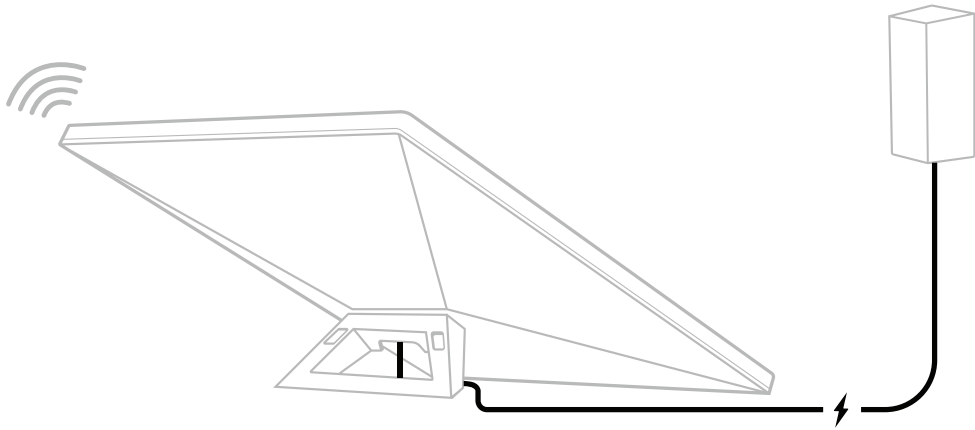


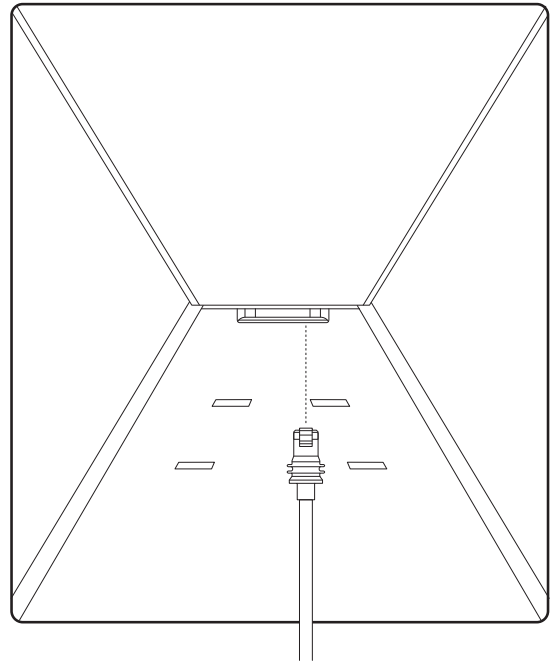
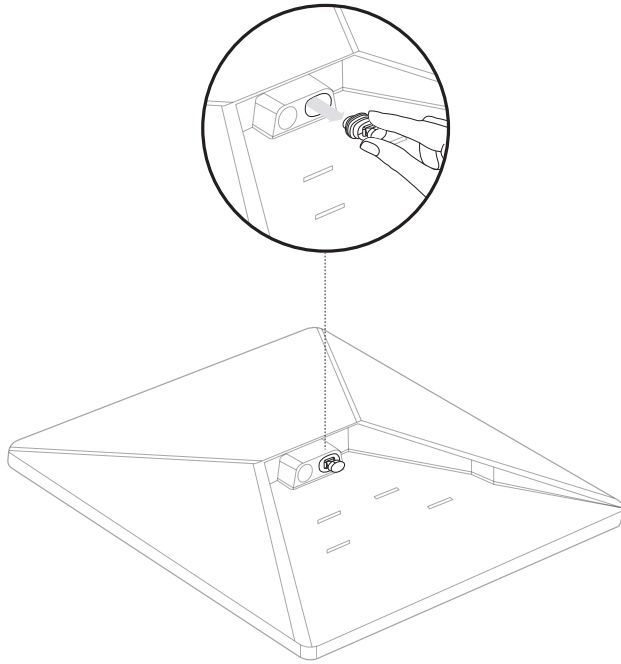
Wi-Fi Technology	802.11a/b/g/n/ac
Generation	WiFi 5
Radio	Dual Band 3 x 3 MU-MIMO
Ethernet Ports	One (1) Latching Ethernet LAN port with Starlink Plug
Coverage	Up to 112 m ² (1,200 ft ²)
Security	WPA2
Power Indicator	LED rear face plate, lower left corner
Mesh Compatibility	Compatible with all Starlink mesh systems *Not compatible with 3rd party mesh systems
Devices	Connect up to 128 devices



Product Dimensions	91 x 44 x 51 mm (3.6 in x 1.7 in x 2.0 in)
Weight	0.2 kg (0.44 lbs)
Environmental Rating	IP66 Type 4
Operating Temperature	-30°C to 50°C (-22 to 122°F)
Power Specifications	100-240V ~ 1.6A 50 - 60 Hz







*Mini Starlink Cable not included. Available on shop.starlink.com.
This product is no longer rated IP67 with a standard RJ45 cable.

PIPE ADAPTER

